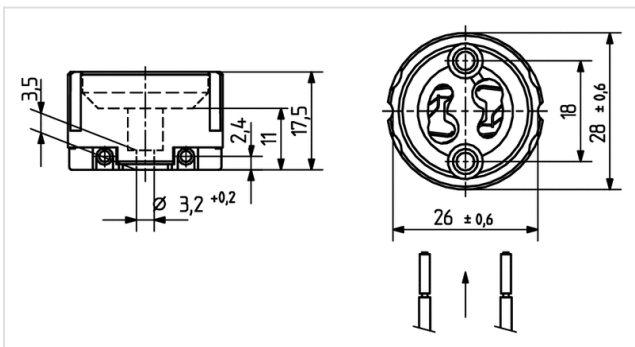




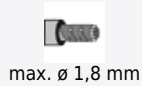
# 25.829.1000

Line Voltage Halogen Lampholders  
GU10



**FC:** 00  
**Part no.:** 25.829.1000.00

2 A  
250 V



T250



## Description

- Wires permanently installed after insertion
- cURus: File E-93328

<b>Product name:</b>	Lampholder GU10
<b>LED type:</b>	GU10
<b>Mounting method 1:</b>	Screw mount
<b>Material:</b>	Housing: Ceramic / PPS Contacts: CrNi
<b>Weight:</b>	15
<b>Connection:</b>	Push-wire contacts for parallel side wiring
<b>Approval:</b>	cURus
<b>Pkg.:</b>	500